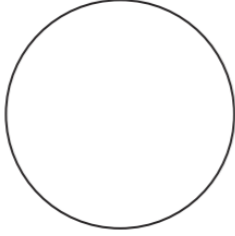



1. Find a half and a quarter of each of these numbers.
Draw circles to help you.


a.



1 whole = 12

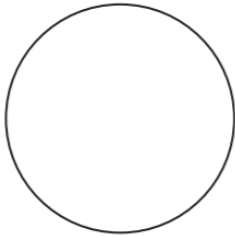


$\frac{1}{2} =$




$\frac{1}{4} =$


b.



1 whole = 4



$\frac{1}{2} =$



$\frac{1}{4} =$

a. 1 whole = 28	$\frac{1}{2} =$ <input style="width: 100px;" type="text"/>	$\frac{1}{4} =$ <input style="width: 100px;" type="text"/>
b. 1 whole = 32	$\frac{1}{2} =$ <input style="width: 100px;" type="text"/>	$\frac{1}{4} =$ <input style="width: 100px;" type="text"/>
c. 1 whole = 24	$\frac{1}{2} =$ <input style="width: 100px;" type="text"/>	$\frac{1}{4} =$ <input style="width: 100px;" type="text"/>
d. 1 whole = 40	$\frac{1}{2} =$ <input style="width: 100px;" type="text"/>	$\frac{1}{4} =$ <input style="width: 100px;" type="text"/>
e. 1 whole = 100	$\frac{1}{2} =$ <input style="width: 100px;" type="text"/>	$\frac{1}{4} =$ <input style="width: 100px;" type="text"/>

1. Would you rather...? $\frac{1}{4}$ of £4 $\frac{1}{2}$ of £8 $\frac{1}{3}$ of £6

2. Would you rather...? $\frac{1}{4}$ of £8 $\frac{1}{2}$ of £4 $\frac{1}{3}$ of £9

Fractions of Money

Can you find the fractions of these different amounts?

Amount	$\frac{1}{2}$	$\frac{1}{4}$
